

Everdeck® Australian Made Wood Composite Decking Installation Guide

—
Reimagine your outdoor space.



EVERDECK
by Timberlink

Contents

Everdeck® Installation Guide	1
Before You Start	1
Decking Board Colours	1
Application	1
Permits and Approvals	1
Safety	1
Storage	2
Calculating Materials	2
Thermal Expansion	2
Tools Required	3
Everdeck® Materials and Fasteners	3
Deck Planning	4
Decking over Concrete	4
Clearances	4
Maximum Spans	4
Recommended Gaps	5
Anchor Points	5
Decking Terminology	6
Butt Joins and Joining boards	6
Breaker Boards	6
Edge Boards and Picture Framing	6
Fascia Boards	6
Decking Installation Procedure	7
Important Installation Preparation	7
Trimming and Cutting Boards	7

Screw Fixing Boards	7
Starting From an Outer Edge (Recommended starting position)	8
Starting Against a Wall	8
Fitting the 4mm T-clip System	9
Fitting the 6mm T-clip System	10
Fitting Breaker Boards and Picture Frame Boards	11
Edge Board and Fascia Board Installation Options	11
Removing and Replacing Boards – Everdeck 4mm T-clip System only	13
Removing and Replacing Boards – Everdeck 6mm T-clip System only	14
Stair Installation Procedure	15
Caring for your Everdeck®	15

Installation Guide

Wood composite products are a great choice for building outdoors. They are easy to care for, simple to install, engineered to last and are available in a selection of stylish colours.

However, because wood composite materials have different characteristics to timber, a slightly different approach is required when building with them.

Before building with Everdeck products, please read and follow the instructions in this guide in full to ensure a build that adheres to all warranty conditions.

Reading this guide and planning the layout and size of your project early on, will help to ensure a better looking and performing build and optimise your design to reduce waste and costs. This installation guide is intended to be viewed along with the technical data sheets and warranty statement. These documents can be accessed at everdeck.com.au/resources.

Before You Start

Please read these important items:

Decking board colours

Everdeck decking boards are dual coloured; ensure you install the decking boards with your choice of colour facing up.

Application

Approved for use in activity types with maximum design loads (kPa) and point loads (kN) as defined in AS/NZS 1170.1:2002, Table 3.1 installed on substructure with recommended joist spacings as detailed in section Maximum Spans and detailed on Everdeck® Technical Data Sheet-Decking.

- Everdeck decking is not designed to be a freestanding product and must be installed according to these Installation Guidelines and fixed down to a sturdy substructure.
- This Installation Guide does not incorporate the design or installation of a substructure. An appropriately qualified building professional should be consulted.
- Using Everdeck decking boards and fasteners in situations outside the applications, exceeding the maximum design load or contrary to the specified installation methods voids warranty. Refer to the technical data sheet for design properties, which can be accessed at everdeck.com.au/resources.
- Slip rating of decking materials should be considered based on intended application. Everdeck® decking materials are tested according to AS 4586-2013, results are detailed on Everdeck® Technical Data Sheet-Decking.

Permits and Approvals

It is the responsibility of the homeowner, contractor, or installer to determine any applicable permit and approval requirements in the relevant State or Territory. The relevant local council, building surveyor and building codes advisor should be consulted.

Safety

Always use proper protective clothing and safety equipment when handling, cutting or drilling. The minimum recommendation is wearing long sleeves, safety glasses, hearing protection, protective gloves, protective footwear and a dust mask.

Always ensure the working area is safe and free of potential hazards. When using power tools ensure they are in safe working order and refer to the tool manufacturer's recommendations and safe operating procedures.

Everdeck decking and edge boards are heavier and more flexible than typical timber decking, refer to the Everdeck Decking Technical Data Sheet for more information. Safe manual handling techniques should always be used when lifting and moving materials.



Storage

Everdeck wood composite materials must be kept dry and stored out of direct sunlight prior to installation to maintain a consistent temperature profile and achieve a uniform finish during installation.

As wood composite material expands and contracts along its length with changes in temperature, it must be allowed to acclimatise to the local conditions prior to installation. It is important to protect and care for the wood composite material while acclimatising by:

- **KEEPING IT STRAPPED & WRAPPED** to protect the material from dirt, exposure to weather and potential staining.
- **KEEPING IT FLAT** by storing on a firm, flat surface to prevent warp or bow.
- **KEEPING IT COOL** to prevent expansion due to overheating.

Calculating Materials

For assistance in calculating decking materials the Everdeck online deck planner can be accessed at everdeck.com.au/deck-planner/.

Thermal Expansion

Everdeck wood composite material expands and contracts over its length with changes in temperature. This is normal behaviour for wood composite materials and needs to be considered when planning and laying out your design, it can be catered for with appropriate installation method such as:

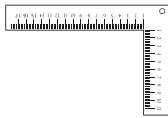
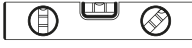
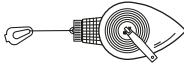
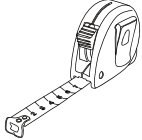

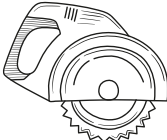
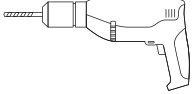


- Keep wood composite material as cool as possible during installation prior to attachment to substructure.
- Install wood composite material as soon as possible after cutting.
- Allow sufficient ventilation and air flow through the substructure.
- When designing deck layout place joints to minimise end-to-end butt joints where possible, remembering boards come as 5.4m set lengths.

Take note of the wood composite material's temperature at the time of installation:



- If it is cool to touch, allow for additional expansion by increasing the gaps at butt joints
- If it is warm to touch, install with smaller gaps between butt joints to allow for contraction

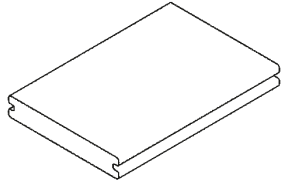
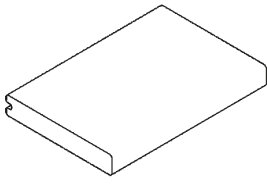
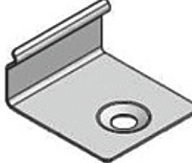
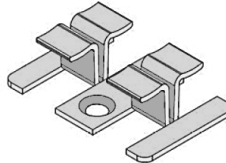
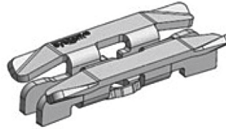
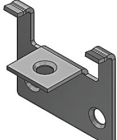

Tools Required

		
Builder's Square	Level	String line / Chalk line
		
Tape Measure	Pencil	Drop Saw with carbide tipped blade, min. 40 teeth
		
Power Drill	Drill Bits and Stop Gauge	Rubber Mallet

Optional tools if screw fixing boards – Plug Cutter

Optional tool if modifying T-Clips – Angle Grinder with cutting blade.

Everdeck Materials and Fasteners

	
Decking Board 137mm x 23mm Dual coloured	Edge Board 137 x 23mm Single coloured
Everdeck Concealed Clip system is designed to securely fix and anchor the Everdeck grooved decking profile to timber substructures	
	
Starter Clips Supplied with screws and driver bits	4mm T-clips Supplied with screws and driver bits
	
6mm T-clips Supplied with screws and driver bits	Edge Clips Supplied with screws and driver bits
For Top-Fixed Everdeck Boards	
	
Top-fix screws Colour matched to decking	

Deck Planning

Prior to starting any installation of Everdeck decking boards it is important to check the substructure is in good condition and level. Wood composite materials will follow the contour of an uneven surface.

Note: Fixings supplied with the Everdeck Concealed Clip system and Everdeck Top-fix screws are to suit a timber substructure. Alternative fixings will need to be sourced to suit other substructure materials.

Decking over Concrete

If installing over a concrete slab the following must be followed:

- Concrete slab must be free draining and grade away from any structure to drainage points.
- Decking over concrete slab shall be elevated above the slab and supported on joists/ battens (timber or other appropriate material).
- Packing must be provided under the joists / battens to allow for sufficient airflow and ventilation.
- Substructure must be secured to concrete slab with concrete anchors, not floating.
- Substructure materials must be suitable for the application.
- Do not allow debris and moisture to accumulate under the deck.

Clearance

Relevant local council and building codes should be consulted to determine minimum ground clearances under substructure for each installation location.

- Ground clearance should allow free drainage, airflow and ventilation around the substructure.
- Accumulation of debris and moisture is to be avoided under and around the substructure.
- Access for maintenance and pest control should be considered when determining ground clearance heights.

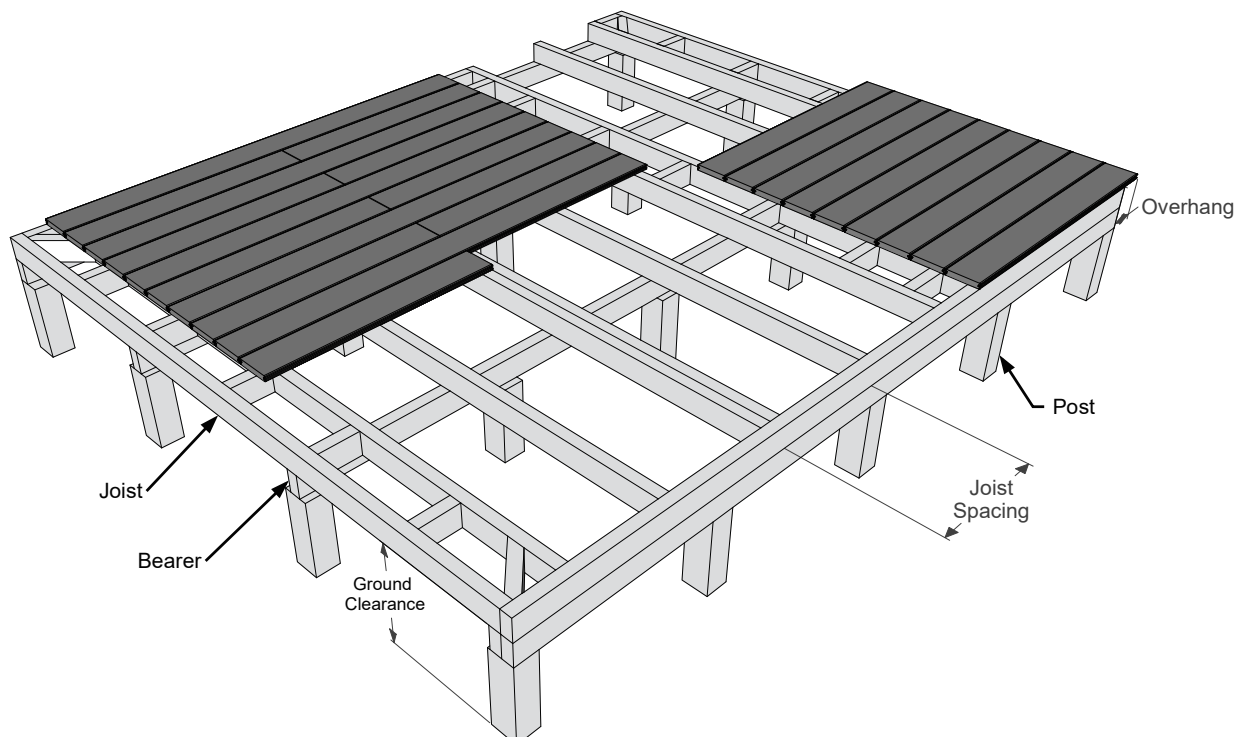
Maximum Spans

The below recommendations are based on activities as defined in AS/NZS 1170.1: 2002.

Board Size 137 x 23mm		
Uniform Load (kPa)	Point Load (kN)	Maximum Joist Spacing Centre-to-Centre
2.0	1.8	450mm
4.0	2.7	400mm
5.0	3.6	350mm
5.0	4.5	300mm
Maximum End Overhang		50mm

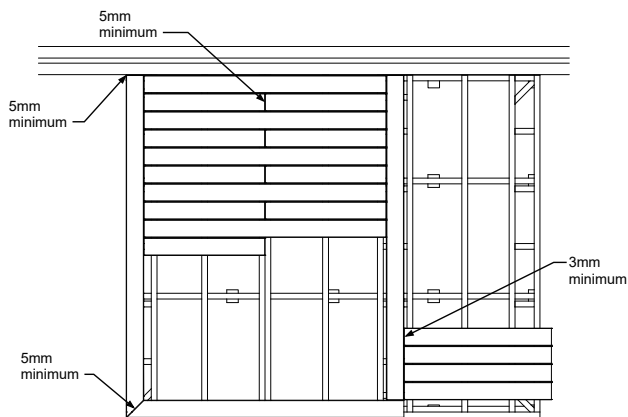
*Uniform Load and Point Load shall be considered independently of each other.

For applications outside the recommended maximum design loading refer to the technical data sheets for design properties, which can be accessed at everdeck.com.au/resources.



Recommended Gaps

To accommodate potential thermal expansion of decking boards the below diagram is a guide to the appropriate gap allowances.



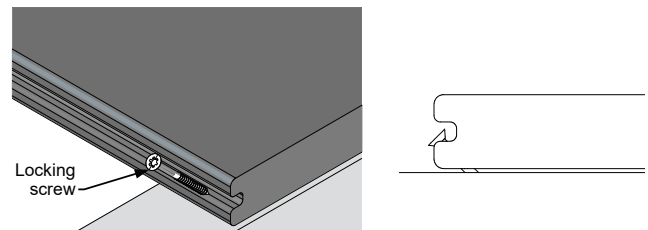
Gap Type	Gap Size	Location
End-to-End gap between boards	5mm minimum	Butt Joins, Mitre Corners
End-to-Side gap between boards	3mm minimum	Board end to perpendicular feature board
Clearance gap between structure	3mm minimum	Board to solid structure, wall/ house

Anchor Points

Anchor Points are recommended to assist with managing the longitudinal expansion of wood composite decking boards.

It is recommended to install one anchor point per board. An anchor point can be established with a locking screw installed at 45° angle through the boards edge groove.

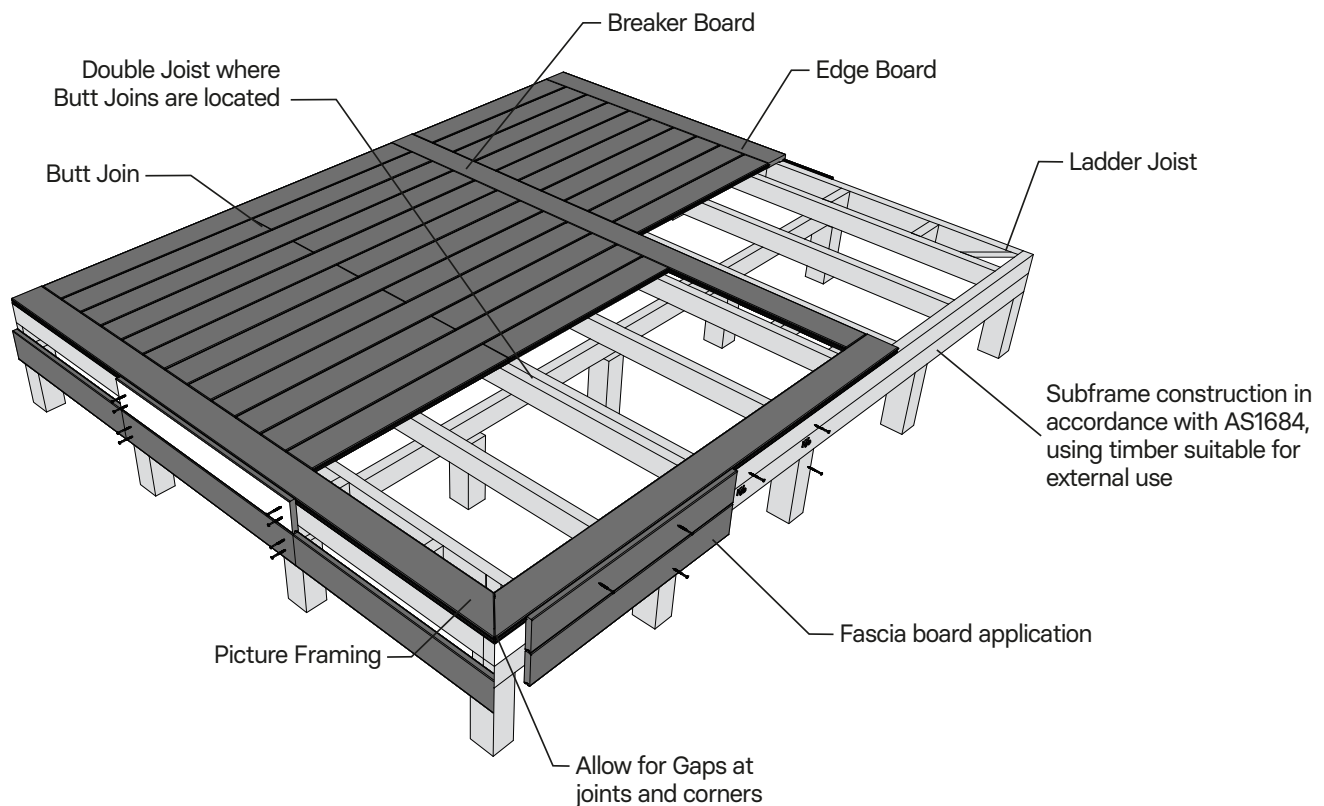
There are 20 locking screws supplied with each 500 quantity T-clip project box.



The location of anchor points should align across the width of the deck. This is to maintain a consistent appearance by allowing all the decking boards to expand away from the anchor point.

<p>Option 1: All anchor points located at end of decking board</p>	<p>Option 2: All Anchor points located at middle of decking board</p>
<p>CAUTION: Avoid alternating anchor point locations and anchoring boards in multiple locations. Decking boards will expand and contract in different directions creating an inconsistent appearance</p>	

Decking Terminology



Butt Joints and Joining boards

Due to the thermal expansion characteristics of wood composite decking, the use of butt joints is discouraged. It is difficult to achieve uniform gaps across the entire deck surface with butt joints and variations in board lengths.

If butt joining decking boards cannot be avoided, the location of butt joints needs to be planned to accommodate the location of double joists in the substructure. This will allow placement of additional clips and adequate support of the decking boards.

Breaker Boards

The inclusion of breaker boards is strongly recommended to manage thermal expansion and contraction and to maintain consistent gapping.

Breaker boards are decking boards that run perpendicular to the main direction of the deck and break up the deck into smaller sections. With early planning, breaker boards can minimise or eliminate the number of butt joints, giving the appearance of a joint free deck. We recommend the use of breaker boards for decks greater than 5.4m in length.

In addition to creating a nice design aesthetic, breaker boards help to manage the expansion and contraction of wood composite decking without the need to butt join lengths of decking.

Refer to section 'Fitting Breaker Boards and Picture Frame Boards'.

Edge Boards and Picture Framing

Picture framing is when edge boards are installed around the outside edges of the deck. Like breaker boards, picture framing is strongly recommended to manage thermal contraction, expansion and to maintain consistent gapping.

An edge board has the groove detail on one edge only, allowing the exposed edge to have a clean finish. When used as picture framing, a clean finish to the decking perimeter is possible by surrounding all cut edges.

In addition to creating a premium quality appearance for your deck, picture framing also helps manage the expansion and contraction of wood composite decking without the need to butt join lengths of decking.

Refer to section 'Fitting Breaker Boards and Picture Frame Boards'.

Fascia Boards

Fascia boards add to the clean aesthetic of your overall decking project. Boards are orientated vertically around the edge of the deck, offering concealment of the substructure and the cut-edges of horizontal boards.

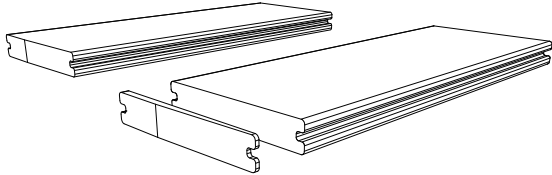
There are a couple of options when installing fascia boards. Refer to section 'Edge Board and Fascia Board Installation Options' for detail.

Decking Installation Procedure

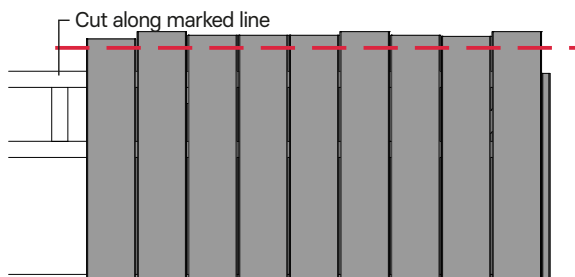
The following relates to clips utilised in Residential and Non-Residential applications as defined in Everdeck® warranty statement.

Important Installation Preparation

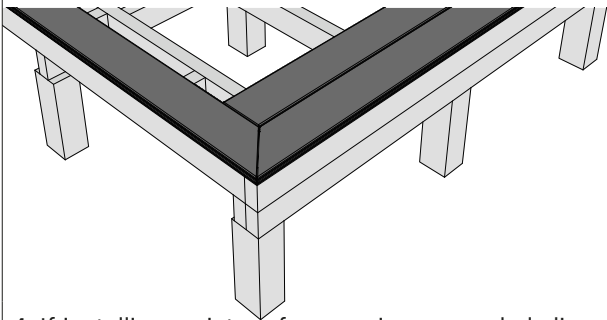
1. Shuffle boards in all packs to distribute any colour tone variations evenly through the installation.



2. Clean cut both ends of all boards to ensure squareness.



3. Where possible leave boards oversized then cut to length once secured in place to allow flexibility when setting gaps.



4. If installing a picture frame using concealed clip system, the outer frame should be installed first.

Trimming and Cutting Boards

Everdeck decking boards should be cut with a sharp, fine-tooth blade drop saw. We recommend a minimum 40 tooth blade for this application.

Screw Fixing Boards

Where Everdeck concealed clips cannot be used and screw fixings are required we recommend the following screw specification:

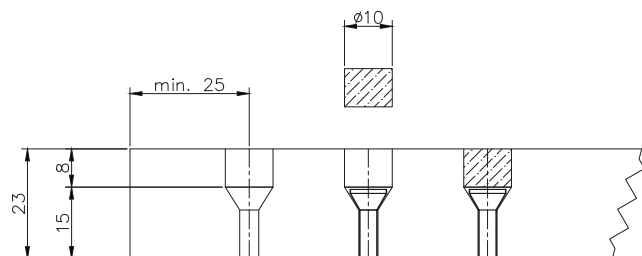
Substrate Material	
Timber	Everdeck Top-fix Screw 5.0mm x 60mm long, Countersunk Head
Metal	10G x 50mm long, Self-tapping Countersunk Head Screw

Everdeck Top-fix screws are coloured similar to each Everdeck decking colour to assist in minimising visibility of fasteners.

- Screws should be a minimum 25mm distance from edge or end of board.
- Screws should be engaged in the decking a minimum thickness of 15mm to avoid pull-through, allowing maximum countersunk depth of approximately 8mm.
- All decking boards should have 2 screws per location, per joist. Screws should be centrally located to the joist.
- All screw holes to be predrilled (1mm greater than the diameter of the screw shank) and countersunk.
- Screw coating selected shall be suitable for the level of corrosion protection required for the application.

TOP TIP: to avoid surface bulging only use screws approved for wood composite decking and predrill all screw holes.

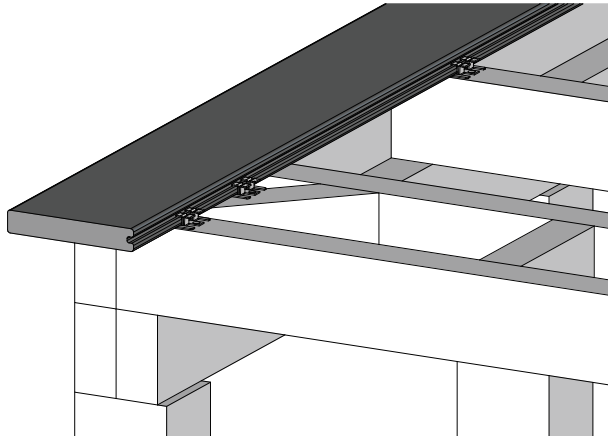
TOP TIP: to conceal screw holes use a plug cutter and some Everdeck offcuts to make colour-matched plugs. Predrill holes deep enough to accept the depth and diameter of the plug, this method is best used with countersunk style screw holes.



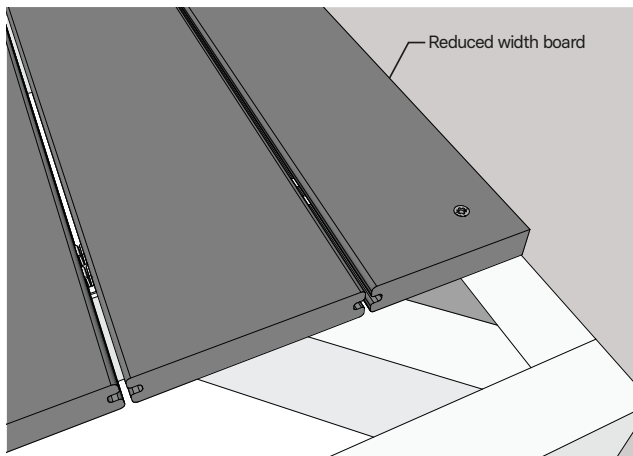
Starting From an Outer Edge (Recommended starting position)

To achieve the best appearance, we recommend you start laying boards at an outer edge of the deck using an Edge Board and work your way back towards a wall or house. This ensures the edge of the deck or border finishes with a complete board where it is visually most exposed.

Refer to sections 'Fitting Breaker Boards and Picture Frame Boards' and 'Edge Board and Fascia Board Installation Options' for arrangement options.

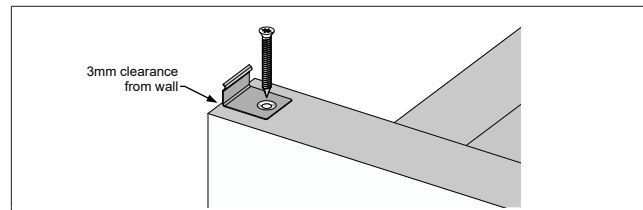


Depending on the dimensions of the deck, it may be necessary to trim the width of boards nearest to the wall or house to fit the final gap. Secure with countersunk screws in predrilled holes.

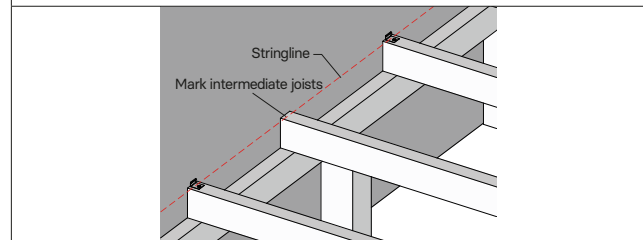


Starting Against a Wall

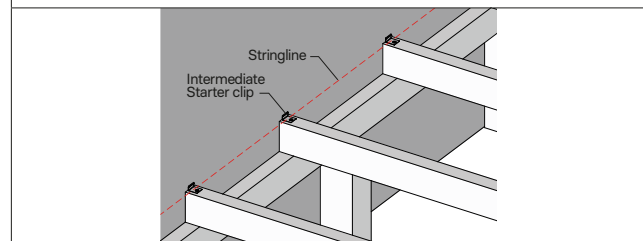
NOTE: Everdeck Concealed Clips are provided with timber screws. When fixing to metal substructure the use of pop rivets or metal thread self-drilling screws is recommended in place of the supplied timber screws. Materials of any substituted screws should be compatible with substrate and clip to minimise risk of metallurgic reactions and accelerated corrosion or premature failure. Each fixing point will need to be



1. Install the first Starter clip for the first board on the joist, maintain a minimum 3mm clearance from the wall or house.
2. Do the same for the last Starter clip of the first board.

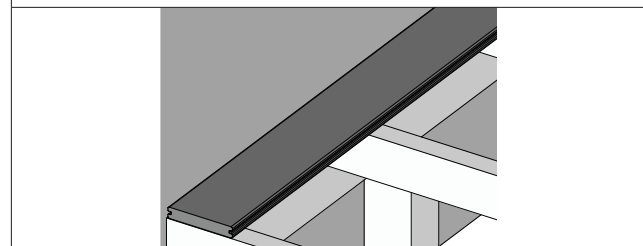


3. Run a string line or chalk line between the two Starter clips and mark a line on the intermediate joists.



4. Install the intermediate Starter clips on the stringline, maintaining minimum 3mm clearance to the wall or house.

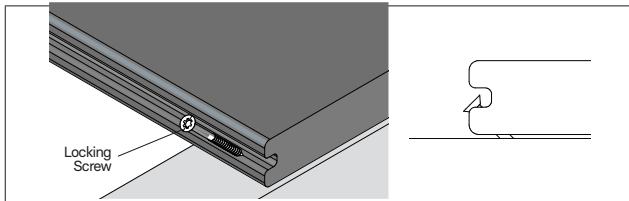
Note: Each Starter clip should be positioned centrally on each joist.



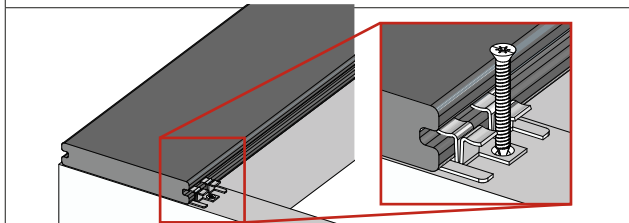
5. Push first board into place, making sure it is securely seated into the Starter clips. Use a timber block, or decking off-cut, and rubber mallet to tap into position, taking care not to damage the groove. Do not directly hit the decking boards.

6. The remainder of the boards are fixed with either the 4mm T-clip or 6mm T-clip, depending on your preferred gap. Refer to the following sections.

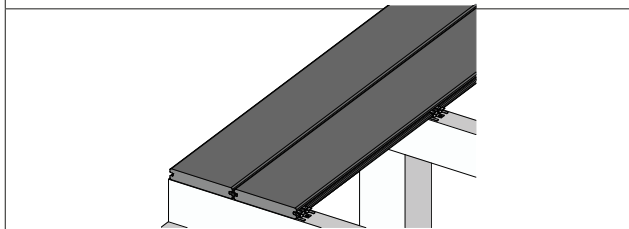
Fitting the 4mm T-clip System



1. Install a locking screw at the preferred anchor point location in the groove of the first board. One locking screw is required per board, refer to section 'Anchor Points.'

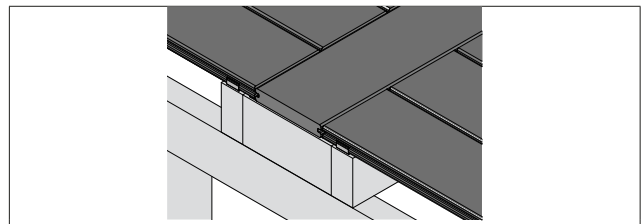


2. Slide 4mm T-Clips under first board in alignment with the centre of each joist and screw down.



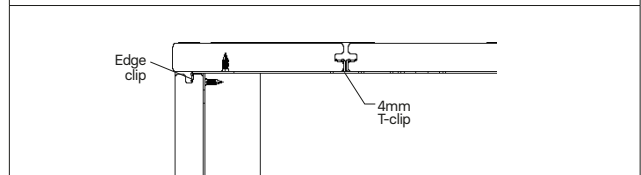
3. Push next board into place, making sure it is securely engaged with all the 4mm T-Clips. Use a timber block, or decking off-cut, and rubber mallet to tap into position, taking care not to damage the groove. Do not directly hit the decking boards.
4. Repeat fitting 4mm T-Clips, locking screws and decking boards.
5. Repeat steps until you reach the end of your deck surface.

Note: Check squareness of deck as you go and do not overtighten screws.



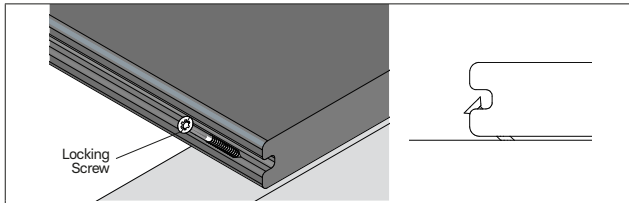
6. To fit breaker boards or picture framing with 4mm T-Clips refer to section 'Fitting Breaker Boards and Picture Frame Boards'

Note: Maintain gap around perimeter adjacent to breaker boards or picture frame.



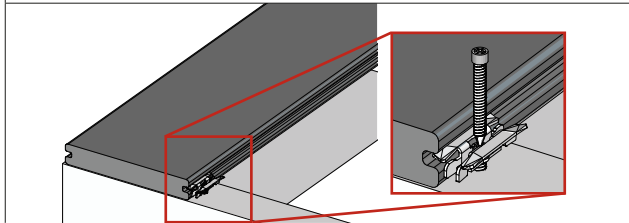
7. Finish decking edge using Edge Clips to selected arrangement, refer to section 'Edge Board and Fascia Board Installation Options'.

Fitting the 6mm T-clip System

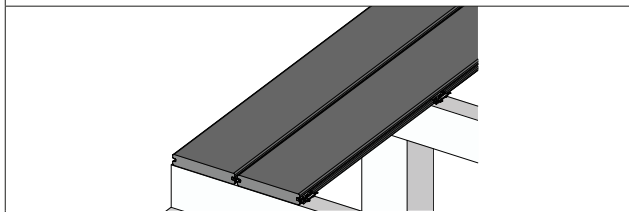


1. Install a locking screw at the preferred anchor point location in the groove of the first board.

One locking screw is required per board, refer to section 'Anchor Points.'

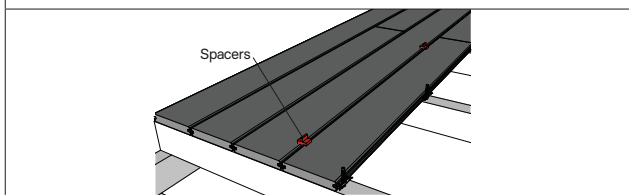


2. Insert 6mm T-clip into the groove of the first board, align each clip with the centre of each joint. Screw down enough to hold clips in place, do not drive home yet.



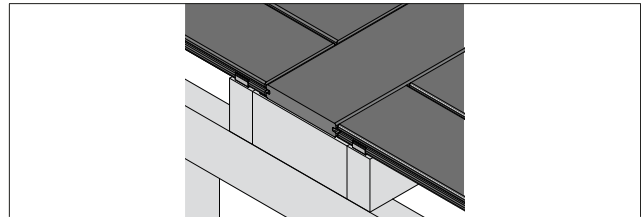
3. Push next board into place making sure all 6mm T-Clips are securely engaged. Use a timber block, or decking off-cut, and rubber mallet to tap into position, taking care not to damage the groove. Do not directly hit the decking boards.

Note: Maintain the gap between boards with 6mm spacer (Spacer supplied in 500 qty project box).



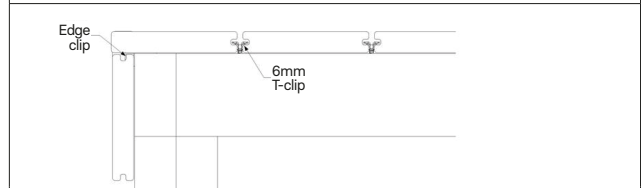
4. Clamp loose board to previous board, check for a constant 6mm gap with 6mm spacers.
5. Securely screw down all the 6mm T-Clips into their final position using provided screws.
6. Remove clamps and spacers.
7. Repeat fitting 6mm T-Clips and locking screws until you reach the end of your deck surface.

Note: Check squareness of deck as you go and do not overtighten screws.



8. To fit breaker boards or picture framing refer to 'Fitting Breaker Board and Picture Frame Boards'

Note: Maintain gap around perimeter, adjacent to breaker boards or picture frame.

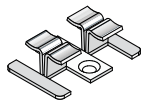
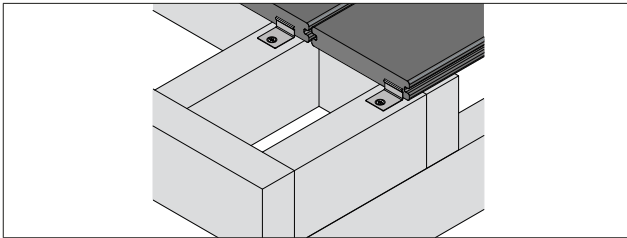


9. Finish decking edge using Edge Clips to selected arrangement, refer to section 'Edge Board and Fascia Board Installation Options'.

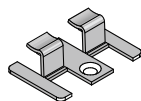
Fitting Breaker Boards and Picture Frame Boards

To secure breaker boards or picture frame boards, there are two methods which can be followed.

1. Secured with Starter clips and modified 4mm T-clips.

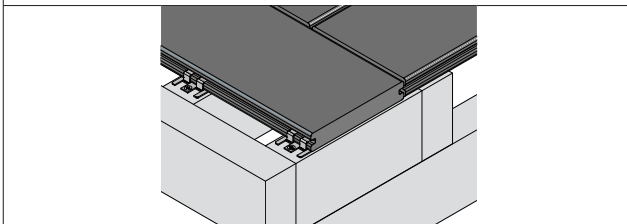


Standard 4mm T-clip



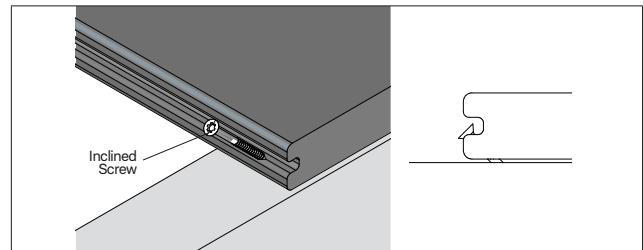
Modified 4mm T-clip

- Starter clips are installed along one grooved length of the board.
- 4mm T-clips can be modified to be single sided by flattening or cutting the individual tabs, bending back and forth with pliers or cutting away with a grinder.



- Clips are installed every 450mm.
- If installing a breaker board, modified 4mm T-clips are installed on the 2nd grooved length of the breaker board.
- An anchor point is required in the middle of each breaker board.
- If installing a picture frame board that is perpendicular to the main decking board direction, the external edge can be secured following one of the Edge board options.

2. Secured with inclined screws.



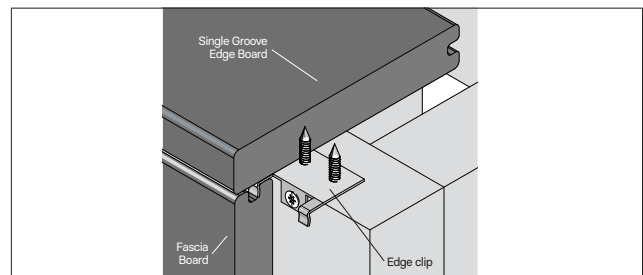
- For concealed fixings, holes to suit Screws are predrilled on an angle into the boards edge groove, starting 25mm from each board end.
- Screws are to be installed at each joist, on both grooved edges.

Note: if installing picture frame boards, the outer frame must be installed first.

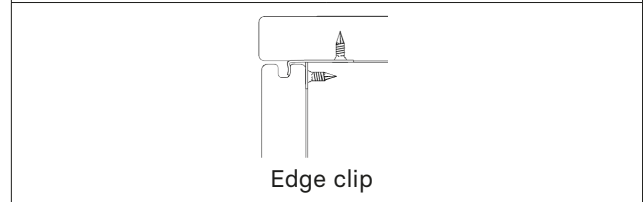
Edge Board and Fascia Board Installation Options

Note: it is recommended holes are predrilled to suit screws being fixed into Everdeck edge board or decking board. This is to avoid material build-up in the hole and minimise the possibility of surface bulge.

Type A - Fascia Under Decking with Edge Clips

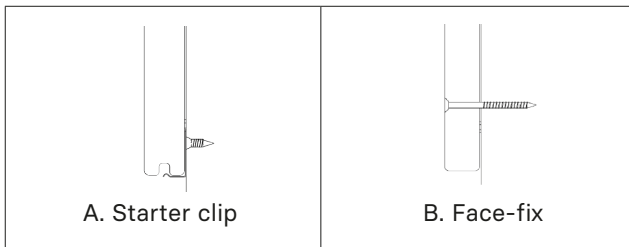


Note: Edge Board and Fascia Board shown short to demonstrate arrangement.



1. Mark the joist locations on the underside of the Edge board.
2. Position the Edge clip on the underside of the Edge board, accounting for the overhang allowance and thickness of the fascia board.
3. Predrill Edge board to suit 2 x 16mm countersunk screws. Secure Edge clip to the underside of Edge board. Once attached to the Edge board and in position, the Edge clip is to be located against the joist (or rim joist), refer image above.
4. Secure Edge clip to side of the joist with 40mm clip screw.

Note: for this arrangement the fascia board could be an Everdeck edge board or Everdeck decking board.

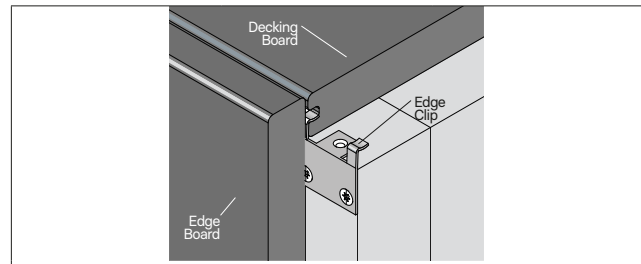


5. A. **To install the Fascia when using double grooved Decking board,** using an offcut of material as a guide, position and secure Starter clips on the rim joist to engage with the lower grooved edge.
6. A. Slip the upper grooved edge of the fascia board into the Edge clip.
7. A. Press the lower grooved edge of the fascia board to pop the bottom groove over the Starter clips. Starter clips are made from spring form steel so the board will clip into place.

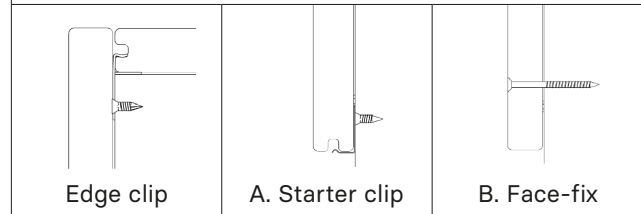
5. B. **To install fascia when using single grooved Edge board,** slip the upper grooved edge on the fascia board into the Edge clip.
6. B. Secure the lower square edge with face-fixed Everdeck Top-fix screws, secured at a maximum 450mm centres. Pre-drill and countersink screw holes.

Alternatively, face-fix Fascia board with two rows of Everdeck Top-fix screws, secured at a maximum 450mm centres. Pre-drill and countersink screw holes.

Type B - Fascia Beside Decking with Edge Clips



Note: Decking board and Edge board shown short to demonstrate arrangement.



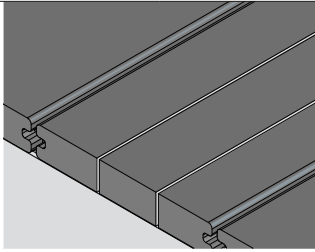
1. Install an Edge clip at the end of each joist, then spaced at no more than 450mm centres between two outer clips. Secure all the Edge clips to edge of the joist with 2 x 16mm countersunk screws.
 2. Slip the Decking board under the row of Edge clips and secure with T-clips on alternate edge.
- Note: This arrangement could also be achieved with Starter clips and supplied screws.
3. To install the fascia, secure the lower grooved edge of the Edge board with Starter clips and screws fixed to the rim joist / deck joist.
 4. Seat the Edge board into the Starter clips and secure upper edge of Edge board with Everdeck Top-fix screws into pre-drilled and countersunk screw holes.

Note: Alternatively, secure lower edge of Edge board with Everdeck Top-fix screws, secured at a maximum 450mm centres. Pre-drill and countersink screw holes.

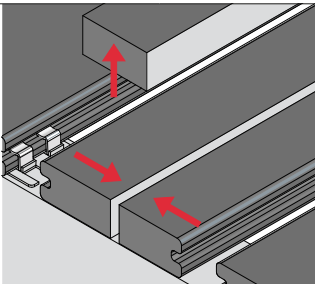
5. Ensuring 3mm clearance is maintained between the Deck board and Edge board.

Removing and Replacing Boards – Everdeck 4mm T-clip System only

Where Everdeck 4mm T-clips have been used to secure the deck, it may be possible to remove individual boards that have been damaged or broken.



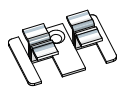
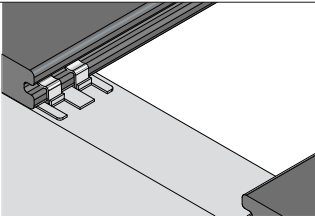
1. Using a circular saw with the blade depth set to 23mm, cut the old board to be removed twice along the length. The decking board will now be three pieces.



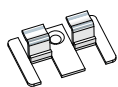
2. Remove the centre section of the old board, then the two outer pieces engaged with the 4mm T-clips.

Note: to make removal of centre section of old board easier, consider installing a screw into the cut strip and then use a claw hammer to leverage out.

Note: if a locking screw is located in the old board, additional cuts may be required to remove ripped old board.

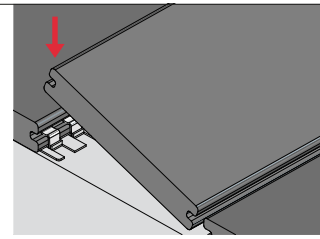


Standard 4mm T-clip

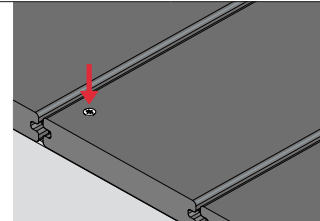


4mm T-clip with tabs removed

3. The now exposed 4mm T-clips without its screw showing, needs to have the two tabs removed by bending back and forth with pliers or cutting away with a grinder.



4. To install the new board, which is cut to length, engage one long edge under the 4mm T-clips which have tabs, then drop the other edge down into position.

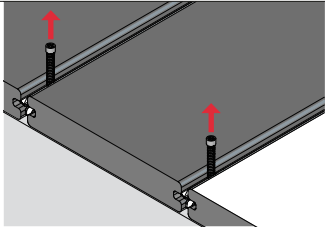


5. To secure the un-clipped edge, fasten in place using Everdeck Top-fix screws.

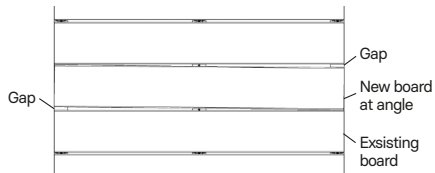
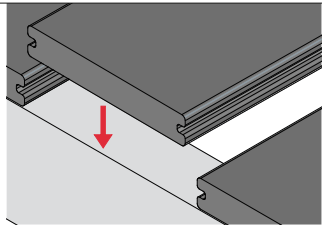
Note: Some configurations may require the removal of additional boards by unscrewing rows of clips and boards to create adequate access.

**Removing and Replacing Boards –
Everdeck 6mm T-clip System only**

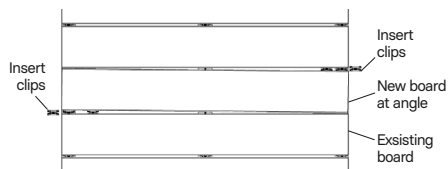
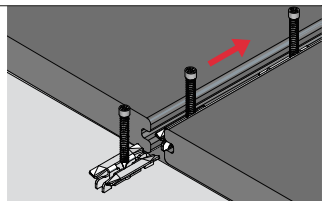
Where Everdeck 6mm T-clips have been used to secure the deck, it may be possible to remove individual boards that have been damaged or broken.



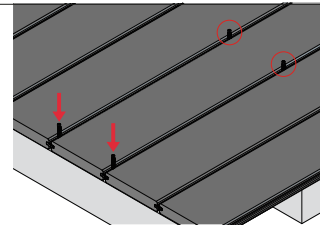
1. Remove the screws of the 6mm T-clips.
2. Slide the clips along the length of the board using screwdriver.
3. Remove the old board.



4. Place the new board into the gap. Place the board at an angle to create wider gaps at opposing ends of the decking board to accept the new clips on both sides of the board.



5. Slide the 6mm T-clips along the length of the board to their final position.



6. Secure each 6mm T-clip back into the joists.

Note: When using short boards, picture framing or breaker boards, the removal of additional boards may be necessary to create adequate gaps for the clips to be inserted.

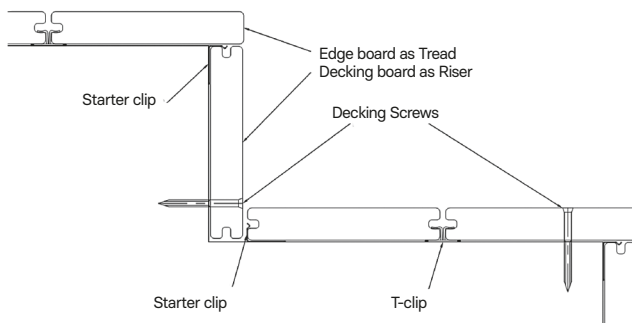
Stair Installation Procedure

Stair Assemblies containing Everdeck decking boards and/or Edge boards must meet local building codes. It is recommended to consult with your local council, building surveyor and building codes advisor for specific building application requirements, eg: slip rating.

- Everdeck decking boards and/or edge boards are not recommended for use as Stair Stringers.
- Everdeck boards can be used to clad Stair Stringers.

If screw fixing, predrill all boards and secure each Tread or Riser with two screws per stringer support location. Minimum distance from the end of a board is 25mm.

Gaps and clearances recommended for decking applications also apply to stair assemblies, refer to section 'Recommended Gaps'.



Typical Configuration using Concealed Clips and Screws

Caring for your Everdeck

It is recommended to clean your Everdeck boards immediately after installation and periodically to maintain the surface and remove any substances that could cause staining.

Ongoing cleaning frequency will vary depending on use, surrounding environment and weather exposure. As a minimum, we recommend a general clean at least annually.

Sometimes prolonged sun exposure can render the decking surface quite hot. Wait for the decking to cool down before washing with water.

Clean the deck with warm soapy water applied using a stiff decking brush and rinse any residue away with clean water.

Before the use of any chemicals or cleaning liquids, test in an inconspicuous location.

Refer to the Everdeck Warranty for further information. It can be accessed at everdeck.com.au/warranty.



EVERDECK[®]
by Timberlink

Everdeck[®]
by Timberlink[®]

Everdeck[®] wood composite decking is manufactured by Timberlink[®], a leading Australian producer of renewable plantation pine timber products.

To learn more about Timberlink, visit timberlinkaustralia.com.au.

Front cover image is an artist impression.

