

# ezipier™

## For Sub Floors, Extensions & Decks



Engineered  
& Certified



Easy to  
assemble



Adjustable



Flush finish



Durable

**SPANTEC SYSTEMS** Making building easy.



# The quickest and easiest pier you'll ever use.

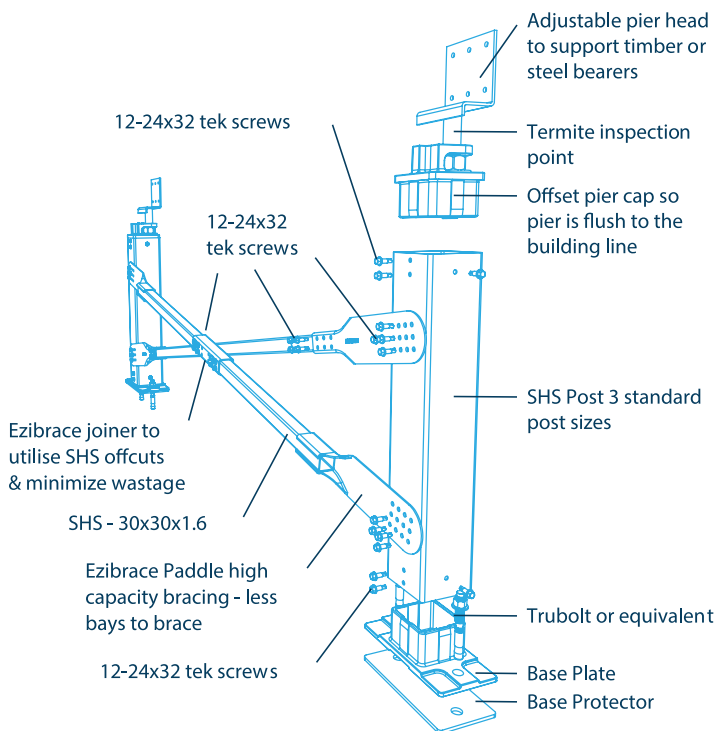
Whether you are building a new home, extending your existing home or simply just restumping your house, Ezipier can provide a strong, galvanised, durable option that is easy to assemble. No more brick piers or traditional stumps required!

Consisting of three components screwed together, a pier base, post & adjustable head. This not only gives you the flexibility in getting your height right, but also enables you to select the correct Ezipier from our extensive range.

## The Ezipier Advantage

- ✓ Cast iron designed top and base providing maximum strength and corrosion resistance.
- ✓ Non combustible, perfect bushfire zone solution.
- ✓ All Ezipier product are fully engineered and certified.
- ✓ True adjustability, before and after your build is complete.
- ✓ Clear termite inspection point that does not protrude past the building line.
- ✓ No welding required.
- ✓ Option base protectors for added protection against water pooling and corrosion.
- ✓ Ezipier head offset to enable a flush finish to the building line making it a neater finish for all trades.
- ✓ Ezipier suit three standard post sizes, 75x75x2, 90x90x2, 89x89x3.5

## Connection Detail



## Timber component range

